



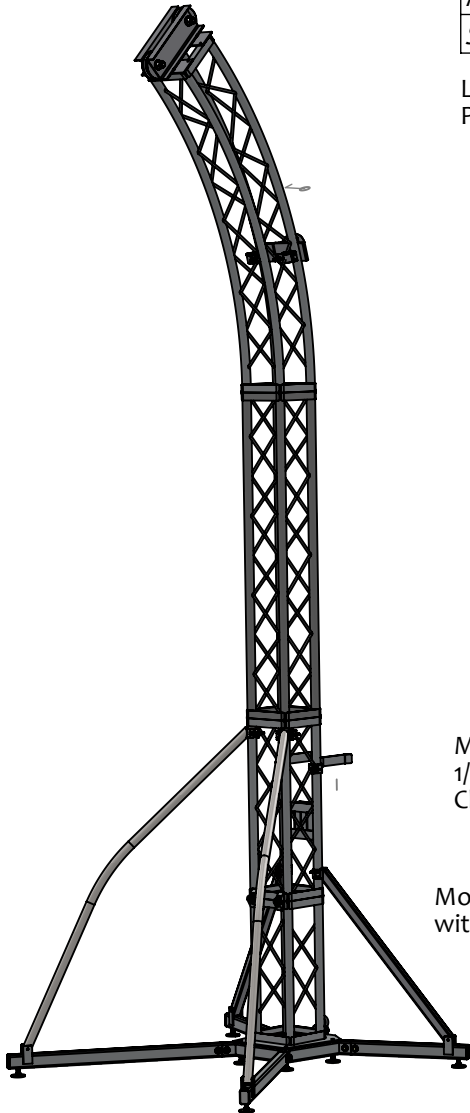
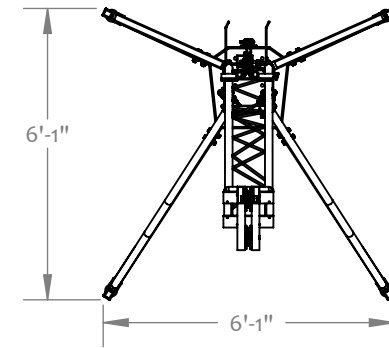
Item#: 1-18-212, LA12-18
LINE ARRAY TOWER SYSTEM

Tower Illustration

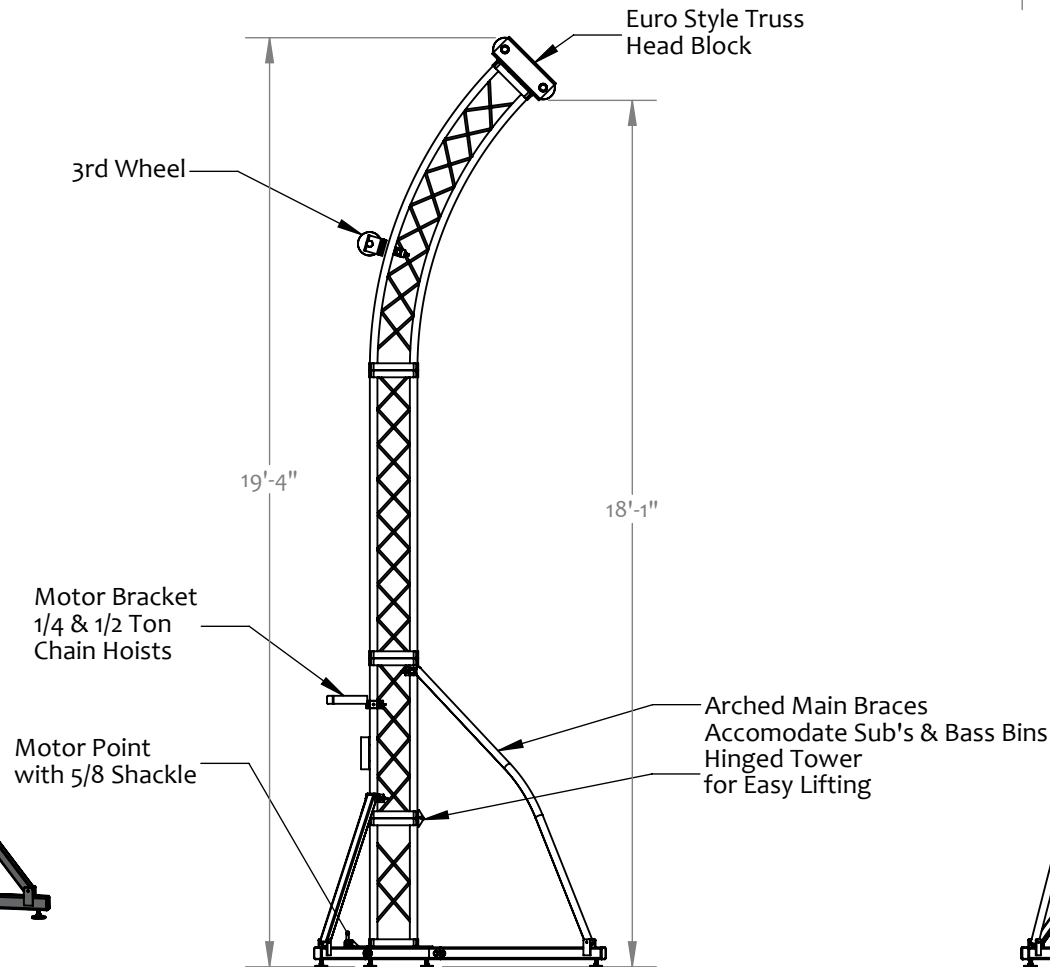
TECHNICAL SPECIFICATIONS	
MAX HEIGHT:	19'-4"
MAX TRIM HEIGHT:	18'-0"
MAX LOAD CAPACITY:	750 Lbs
TRUSS SYSTEM:	12in Euro Box
ALUM. ALLOY:	6061-T6
MIN. BALLAST:	300 LBS
MAX WIND RESISTANCE:	45 MPH
SYSTEM WEIGHT:	est. 308 Lbs

Lifting Options: Winch standard, 1/2 ton or 1/4 ton motor optional.
Please specify 1/4 ton or 1/2 ton motor when ordering.

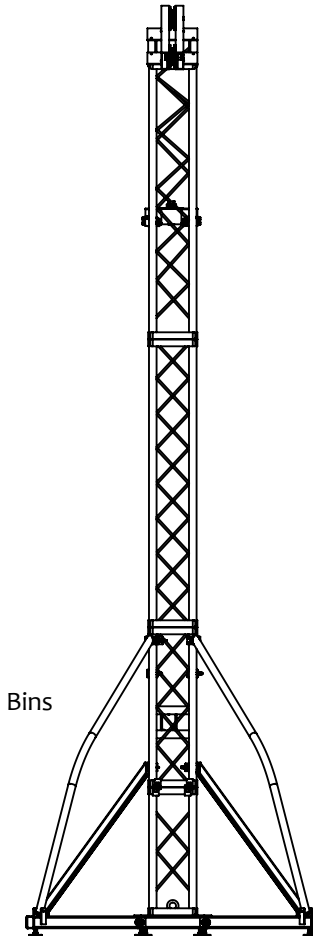
TOWER PLAN (Top View)



PERSPECTIVE



SIDE ELEVATION



FRONT ELEVATION