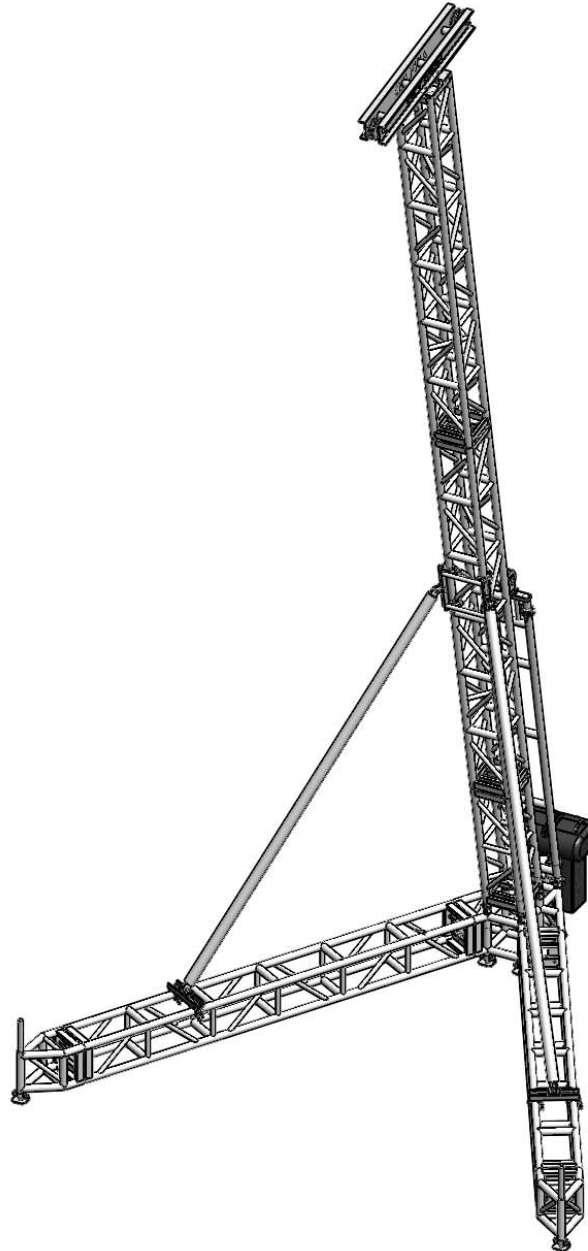


LA12-25 LINE ARRAY TOWER INSTRUCTIONS

1



ATTENTION!
1500 lb WEIGHT LIMIT



722 Blue Crab Road
Newport News, VA 23606
757.591.9371 / fax 757.591.9514
www.appliednn.com

LA12-25 LINE ARRAY TOWER INSTRUCTIONS

2

REQUIREMENTS FOR SAFE USE

- 1) Build tower on flat surface.
- 2) Thick wood or metal plates under leveling jacks.
- 3) Don't lift load until tower is fully assembled.
- 4) Maximum load capacity is 1500 Lbs.

THIS TOWER SHOULD BE ASSEMBLED/ERECTED AND BALLASTED BY QUALIFIED INDIVIDUALS.

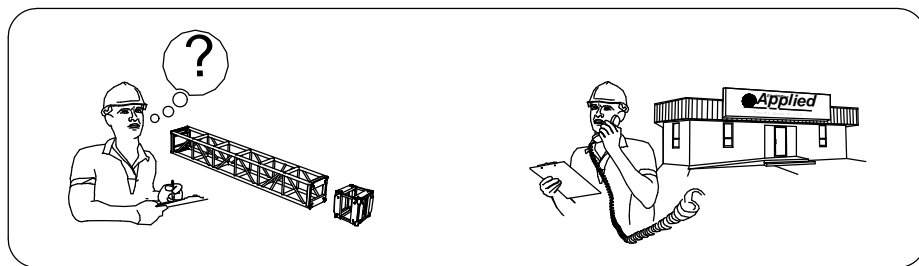
*****BALLAST IS NOT PROVIDED *****

BILL OF GOODS

Qty: (2) 12" LA1225 Towers

- (2) V-BASES
- (2) HINGE SECTIONS
- (4) 10' 12IN TOWER TRUSS (TOWERS)
- (2) HEAD BLOCKS
- (4) 10' 12IN BOX TRUSS (LEGS)
- (4) LEG CAPS
- (2) TOWER LIFTING LADDERS
- (4) TOWER BRACES
- (4) LEG BRACKETS
- (2) TOWER BRACKETS
- (60) 5/8-11 BOLT SETS
WITH (120) WASHERS AND (60) NUTS
- (24) 3/4 X 2-1/2" CLEVIS PINS WITH R-CLIPS
- (12) LEVELING JACKS
- (4) MOTOR BRACKETS
- (2) SETS OF BUILD INSTRUCTIONS

Shipped on 1 pallet



ALWAYS...IF YOU HAVE ANY QUESTIONS, PLEASE CALL!
(757)591-9371



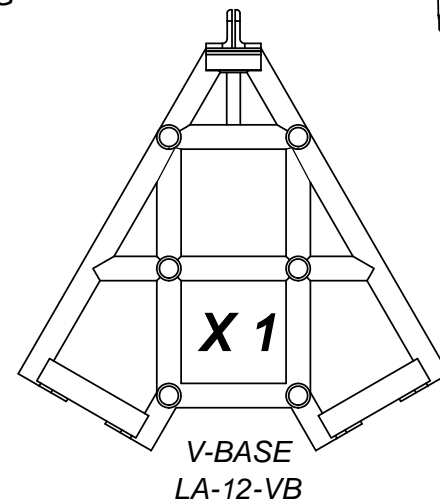
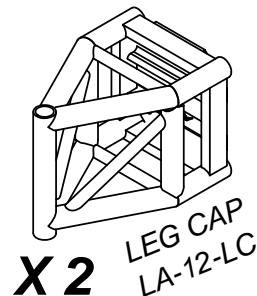
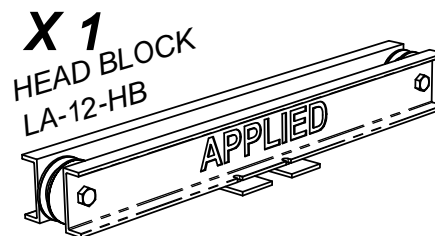
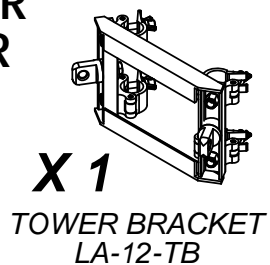
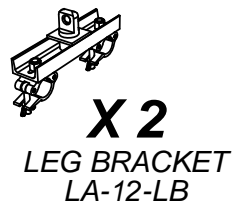
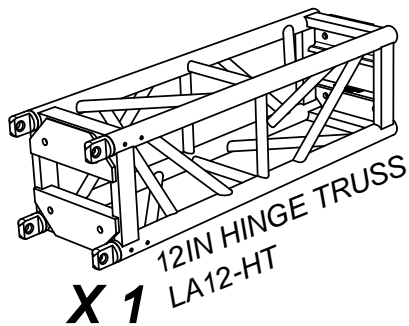
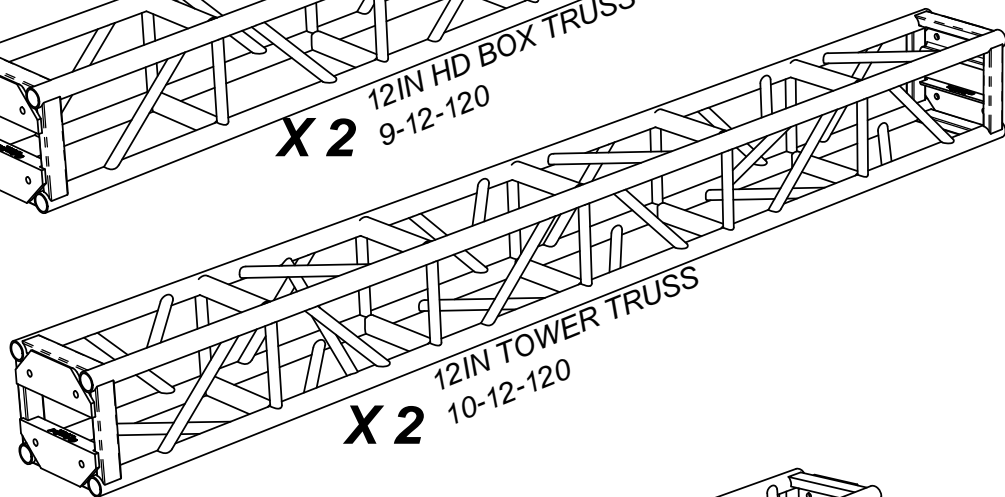
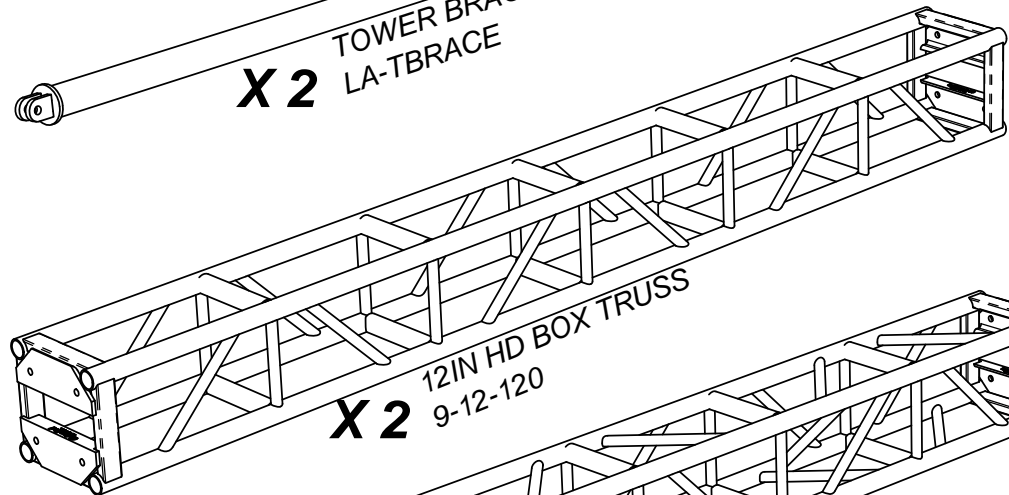
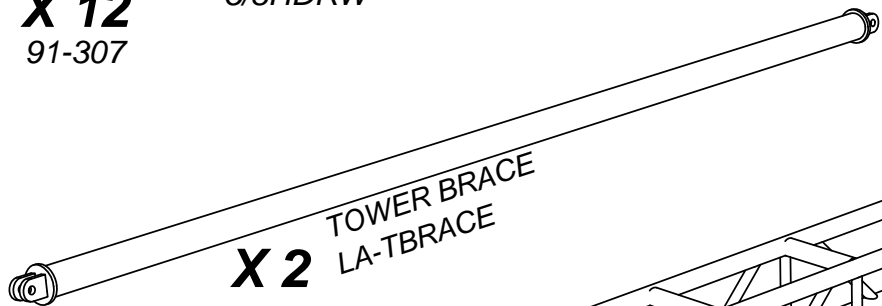
722 Blue Crab Road
Newport News, VA 23606
757.591.9371 / fax 757.591.9514
www.appliednn.com

REVISED: 09-Feb-17
PROUDLY MADE IN THE U.S.A.

LA12-25 LINE ARRAY TOWER PARTS SHEETS / PER TOWER

X 12
91-307

X 30
5/8HDRW



3
SPIGOT
CLAMP
LA-LLSC

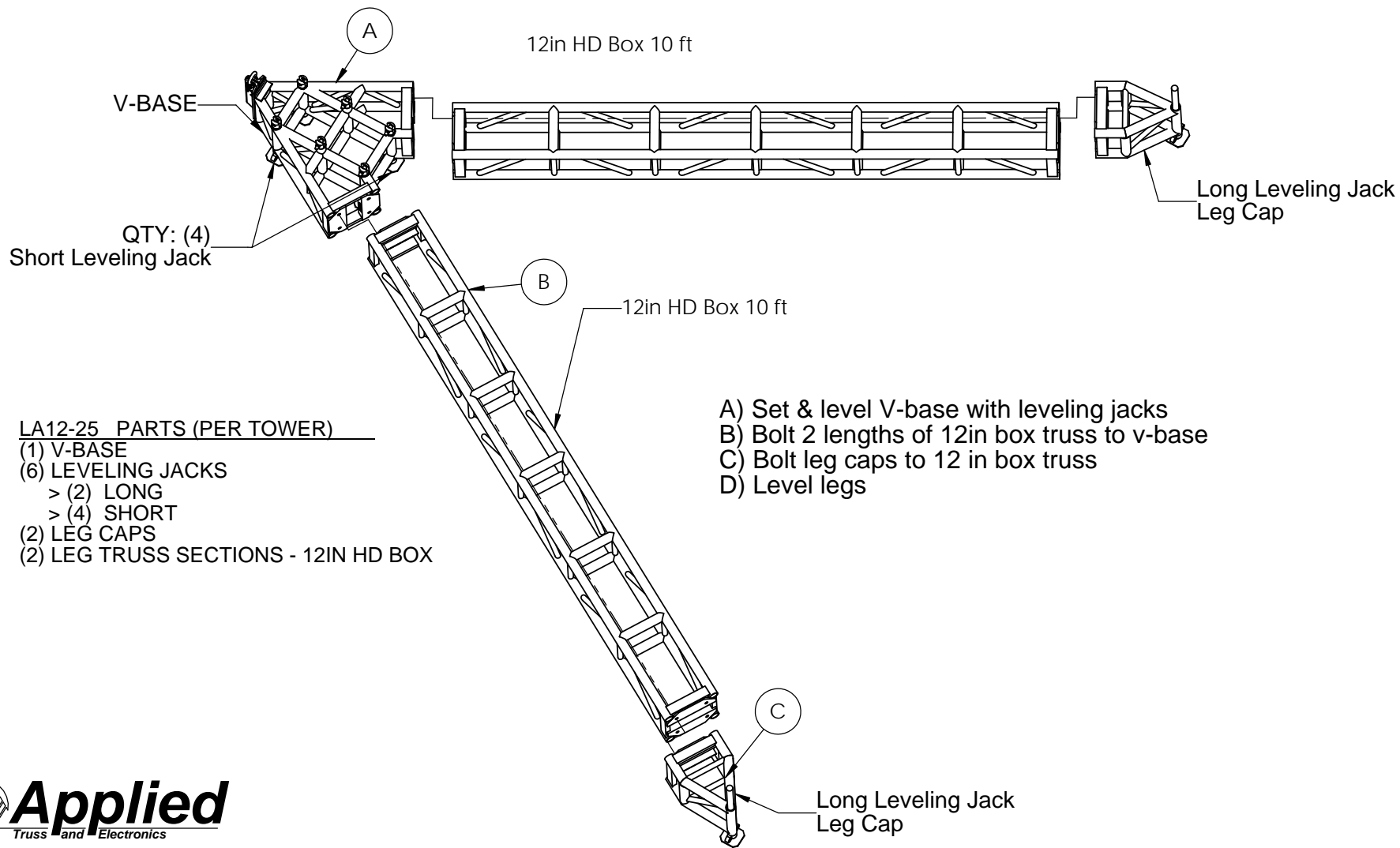
Applied
Truss and Electronics

722 Blue Crab Road
Newport News, VA 23606
757.591.9371 / fax 757.591.9514
www.appliednn.com

LA12-25 LINE ARRAY TOWER INSTRUCTIONS

4

STEP#1 BASE ASSEMBLY



LA12-25 PARTS (PER TOWER)

- (1) V-BASE
- (6) LEVELING JACKS
 - > (2) LONG
 - > (4) SHORT
- (2) LEG CAPS
- (2) LEG TRUSS SECTIONS - 12IN HD BOX

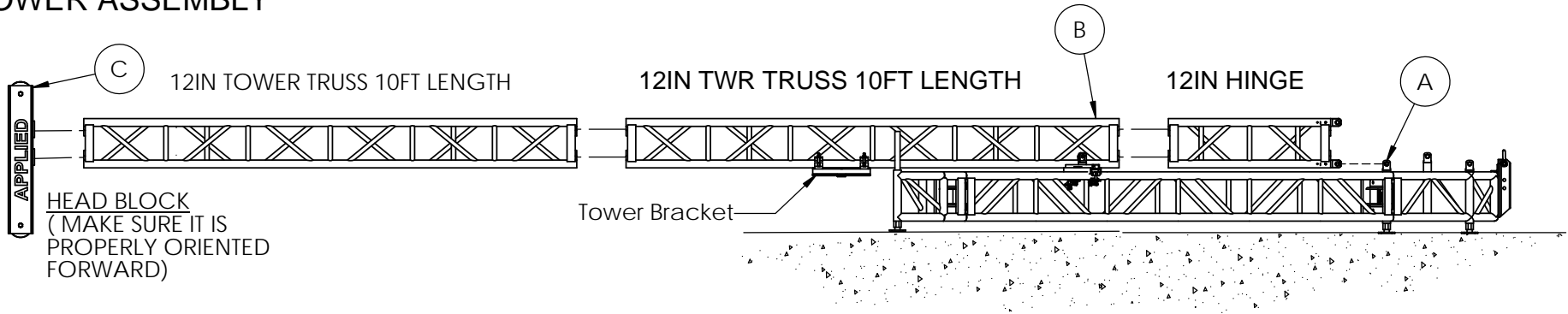
- A) Set & level V-base with leveling jacks
- B) Bolt 2 lengths of 12in box truss to v-base
- C) Bolt leg caps to 12 in box truss
- D) Level legs



722 Blue Crab Road
Newport News, VA 23606
757.591.9371 / fax 757.591.9514
www.appliednn.com

LA12-25 LINE ARRAY TOWER INSTRUCTIONS

STEP#2 TOWER ASSEMBLY



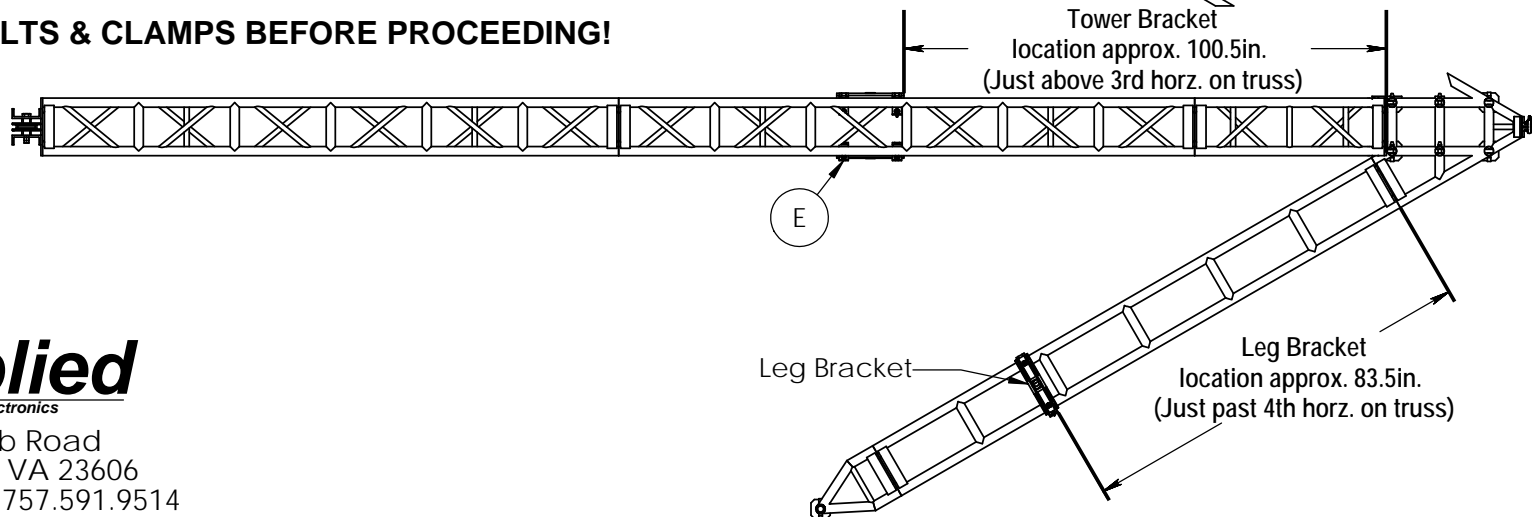
- A) Pin bottom male spigots of hinge section to V-Base.
- B) Bolt the tower truss sections to the hinge section.
- C) Bolt the head block to the end of the tower.
- D) Position Leg brackets.
- E) Position Tower bracket.

LA1225 - PARTS - (PER TOWER)

- (1) HINGE TRUSS
- (2) TOWER TRUSS
- (1) HEAD BLOCK
- (1) TOWER BRACKET
- (2) LEG BRACKETS

CAUTION:
PLACEMENT OF BRACE BRACKETS IS CRITICAL FOR THE TOWER TO SUPPORT THE LOAD. DO NOT VARY FROM GIVEN DIMENSIONS!

CHECK ALL BOLTS & CLAMPS BEFORE PROCEEDING!



722 Blue Crab Road
Newport News, VA 23606
757.591.9371 / fax 757.591.9514
www.appliednn.com

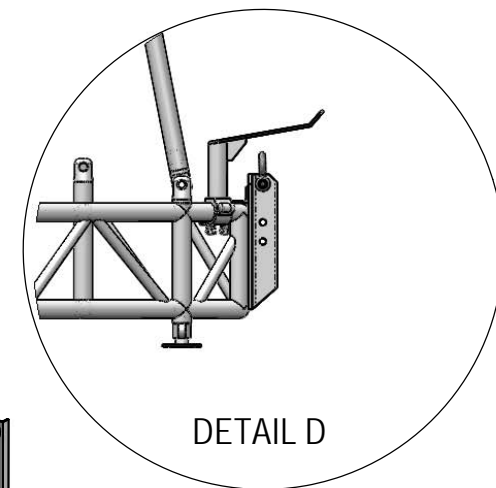
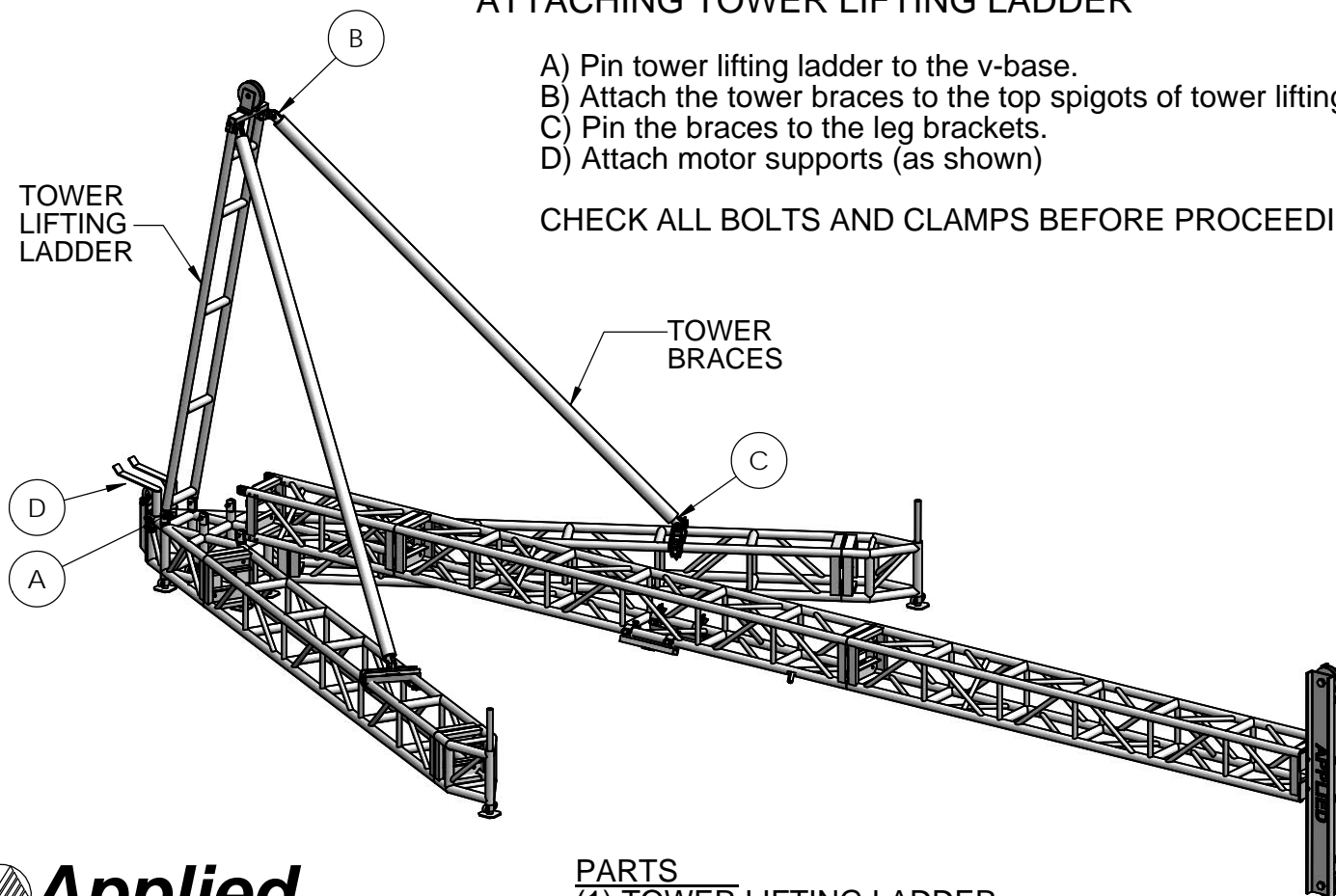
LA12-25 LINE ARRAY TOWER INSTRUCTIONS

6

STEP#3 ATTACHING TOWER LIFTING LADDER

- A) Pin tower lifting ladder to the v-base.
- B) Attach the tower braces to the top spigots of tower lifting ladder.
- C) Pin the braces to the leg brackets.
- D) Attach motor supports (as shown)

CHECK ALL BOLTS AND CLAMPS BEFORE PROCEEDING.



 **Applied**
Truss and Electronics

722 Blue Crab Road
Newport News, VA 23606
757.591.9371 / fax 757.591.9514
www.appliednn.com

PARTS

- (1) TOWER LIFTING LADDER
- (2) TOWER BRACES
- (2) MOTOR SUPPORTS

LA12-25 LINE ARRAY TOWER INSTRUCTIONS

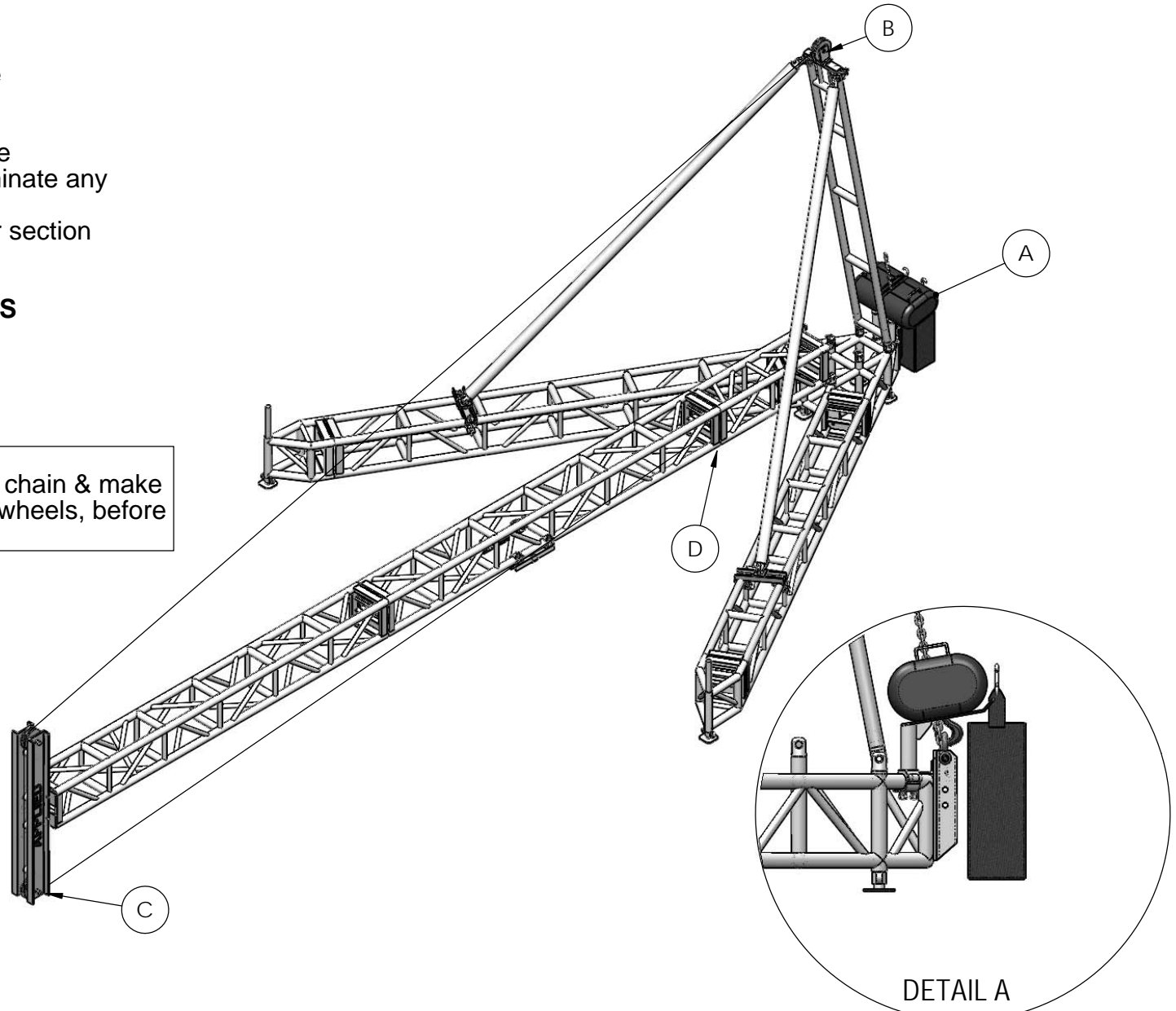
7

STEP#4 RIGGING TO RAISE THE TOWER

- A) Rig motor to V-Base.
- B) Feed chain over the wheel at the top of the tower lifting ladder.
- C) Lay chain along the tower and run chain over both wheels of the head block. (Making sure to eliminate any chain twist)
- D) Attach chain hook to lower tower section with a round sling and shackle.

**CHECK ALL BOLTS AND CLAMPS
BEFORE PROCEEDING.**

CAUTION:
Take care to eliminate any twists in chain & make sure chain is aligned in head block wheels, before raising the tower.



 **Applied**
Truss and Electronics

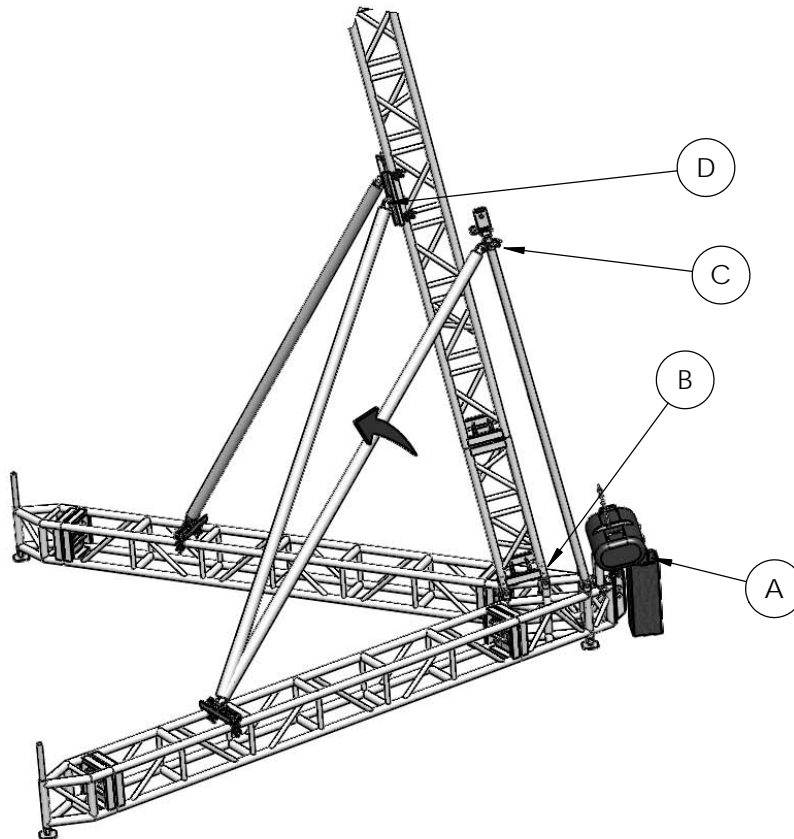
722 Blue Crab Road
Newport News, VA 23606
757.591.9371 / fax 757.591.9514
www.appliednn.com

LA12-25 LINE ARRAY TOWER INSTRUCTIONS

8

STEP #5 Raising & Bracing Tower

DOUBLE CHECK ALL CONNECTORS AND CLAMPS BEFORE PROCEEDING!



A) Engage motor to raise tower.

CAUTION:
TAKE NOTICE OF TOWER KICK BACK

B) Pin remaining spigots at tower base.

C) Unpin top of the tower braces from the lifting ladder.

D) Pin tower braces to tower bracket.

Tower lifting ladder can remain attached to tower.



722 Blue Crab Road
Newport News, VA 23606
757.591.9371 / fax 757.591.9514
www.appliednn.com

LA12-25 LINE ARRAY TOWER INSTRUCTIONS

9

STEP #6

Flying Line Array Speakers

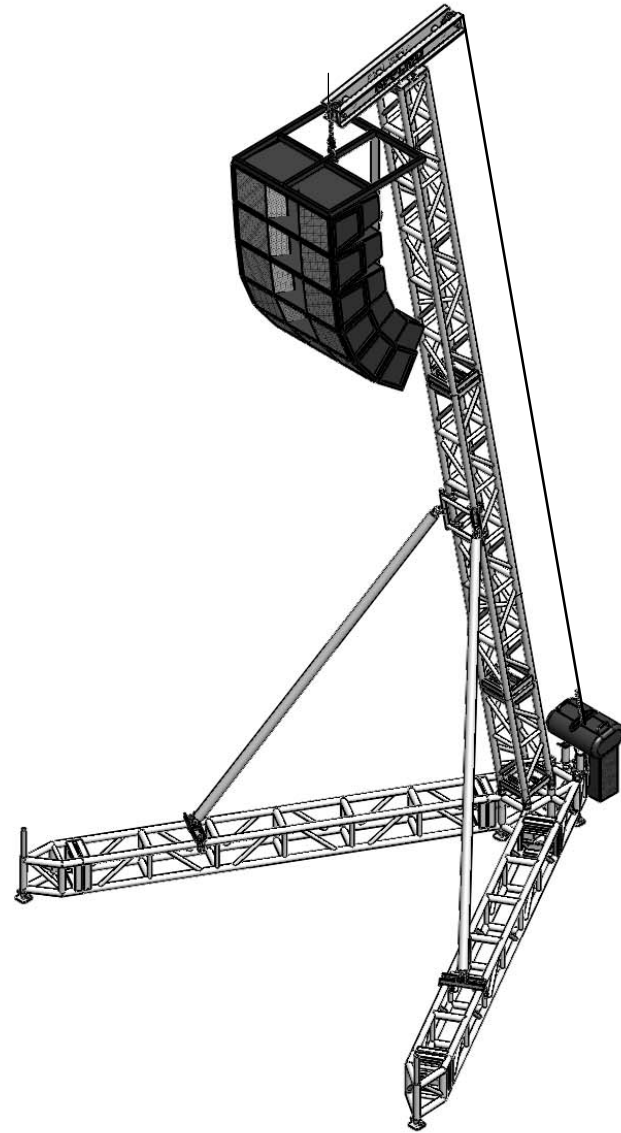
- A) Apply ballast per engineering data.
- B) Disconnect chain hook from tower.
- C) Check that chain rolls smoothly over head block.
- D) Connect chain hook to line array speaker frame.

CAUTION:
BEFORE FLYING LOAD - BALLAST TOWER BASE
ACCORDING TO ENGINEERING DOCUMENT.
Appendix A

*****BALLAST IS NOT PROVIDED *****

Notes: Follow all instructions from your line array speaker manufacturer for proper rigging and flying instructions for your specific speaker system.

Speakers pictured are an illustration only and do not represent any model or brand of line array product, and are for visual effect only.

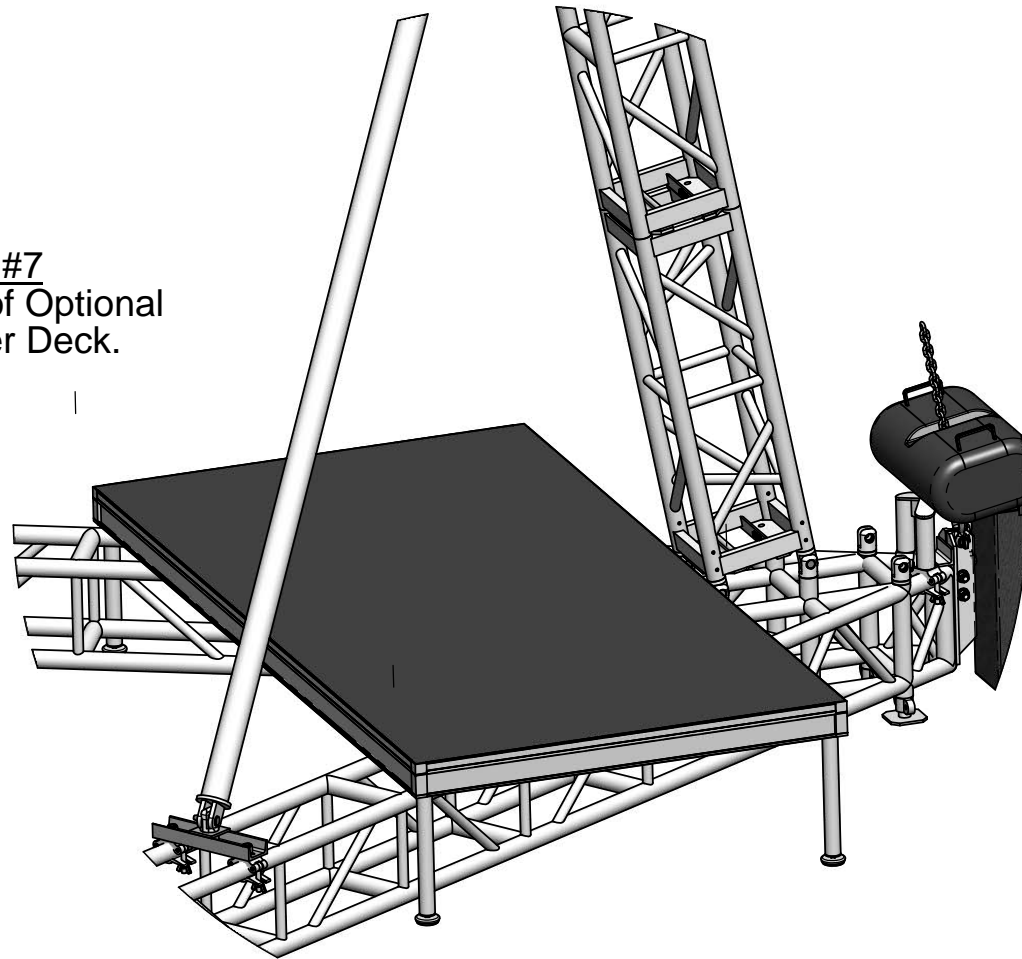


722 Blue Crab Road
Newport News, VA 23606
757.591.9371 / fax 757.591.9514
www.appliednn.com

LA12-25 LINE ARRAY TOWER INSTRUCTIONS

10

Step #7
Installation of Optional
Subwoofer Deck.



722 Blue Crab Road
Newport News, VA 23606
757.591.9371 / fax 757.591.9514
www.appliednn.com

If deck legs are used, ensure deck frame rests on truss chords.